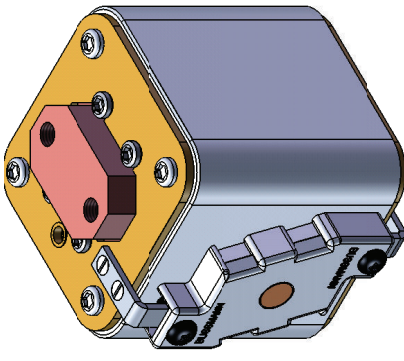
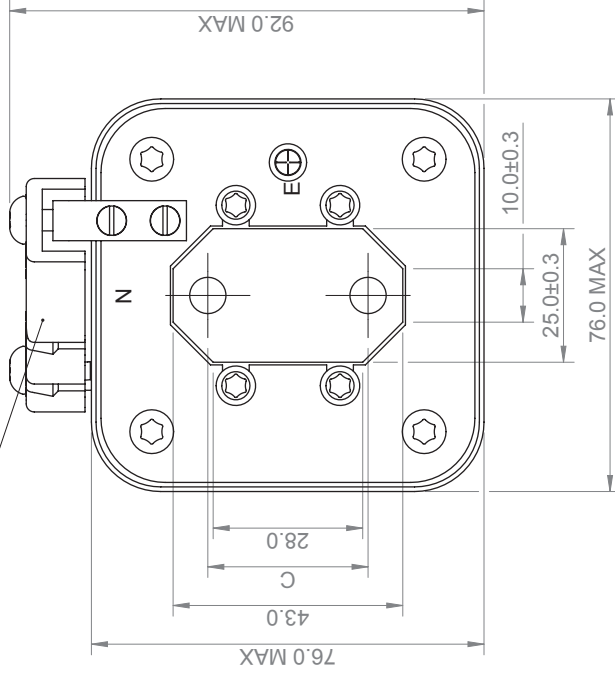
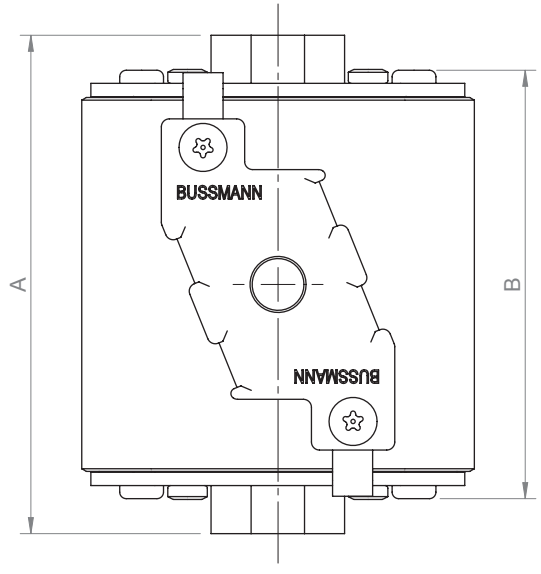


REVISION			
REV	DESCRIPTION	BY	DATE
A	REDRAWN IN SW : FIRST ISSUE	SMN	15/05/2010
			CHANGE NO. 14008



Pos	Type	A	B	C	Suitable adaptor
1	3DK / 65	63.3 ± 1.2	50.9 ± 1.5	30.0 ± 0.3	170H0066
2	3DK / 95	93.3 ± 1.3	80.9 ± 1.6	30.0 ± 0.3	170H0067
3	3DK / 65	63.3 ± 1.2	50.9 ± 1.5	22.0 ± 0.3	170H0066
4	3DK / 95	93.3 ± 1.3	80.9 ± 1.6	22.0 ± 0.3	170H0067
5	3DK / 90	86.3 ± 1.3	73.9 ± 1.6	22.0 ± 0.3	170H0067
6	3DK / 90	86.3 ± 1.3	73.9 ± 1.6	30.0 ± 0.3	170H0067
7	3DK / 125	123.0 ± 1.4	110.9 ± 1.7	30.0 ± 0.3	170H0067



UNLESS OTHERWISE SPECIFIED, ALL DIMENSIONS ARE IN MILLIMETERS.	
TOLERANCES UNLESS OTHERWISE SPECIFIED: GENERAL ± 0.2mm ANGULAR ± 1°	
UNCONTROLLED COPY	
THIS DRAWING IS CONFIDENTIAL AND THE COPYRIGHT OF COOPER BUSSMANN AND MUST NOT BE COPIED OR PASSED ON TO A THIRD PARTY WITHOUT WRITTEN CONSENT	
MATERIAL: VARIOUS	FINISH: NONE
SURFACE AREA: VARIOUSmm <sup>2</sup>	
VOLUME: 255086.55mm <sup>3</sup>	
MASS: 636.47g	
FORM: U0284	MODEL SOURCE FILE:

<p>COOPER Bussmann (UK) Ltd Burton-on-the-Wolds, Leics, LE12 5TH Tel +44 1509 882 600 Fax +44 1509 882786</p>	
TITLE: HIGH SPEED FUSE SIZE 3DK/----	
DRWG NO: 170X0473	REV: A
CHECKED BY: SMN	DATE: 15/05/2010
SCALE: NTS	SHEET: 1 OF 1